



GEOMETRIX 3" Flat Panels and 3" Wedge Panels/
DONN CENTRICITEE DXT Suspension System

LEED Credits

Recycled Content: Up to 90%

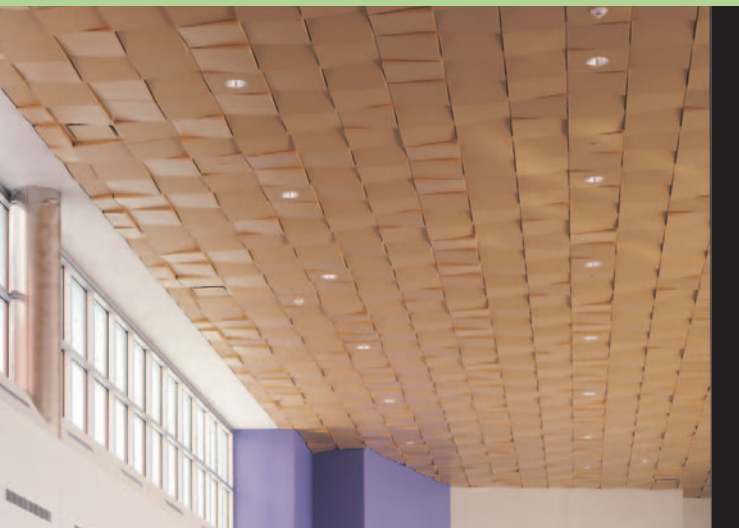
| MR | | | | EQ | | |
|-----------------|------------------|---------------------------------|-----------------------------|------------------------|--------------------|-------------------------------------|
| Waste Reduction | Recycled Content | Regional Materials ¹ | Rapidly Renewable Materials | Low-Emitting Materials | Daylight and Views | Acoustical Performance ² |
| ● | ● | ● | | | | ● |

Features and Benefits

- Multiple profiles and depths lend new dimension to ceiling and wall design
- Panel depths ranging from 1-1/4" to 3" allow a spectrum of possibilities, from subtle textures to bold rhythms
- 2'x2' lay-in panels are compatible with 9/16" and 15/16" DONN® brand suspension systems.
- Solid or perforated panels
- Available in Flat White, Silver Satin and custom colors for design versatility

Applications

- All commercial applications



To order samples, go to usg.com

Painted Metals (HRC Finishes)



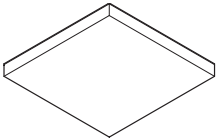
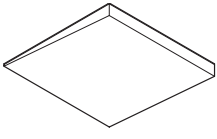
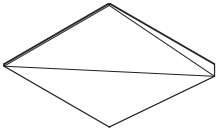
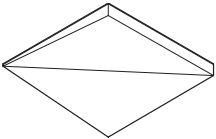
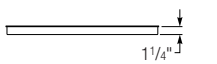



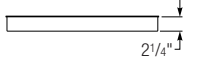



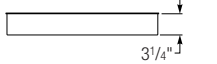
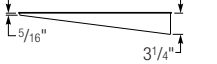
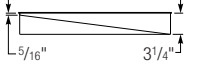
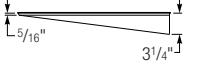
Flat White

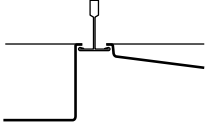
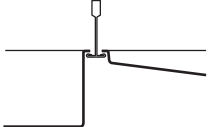
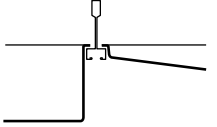
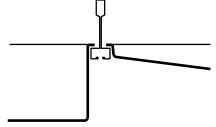


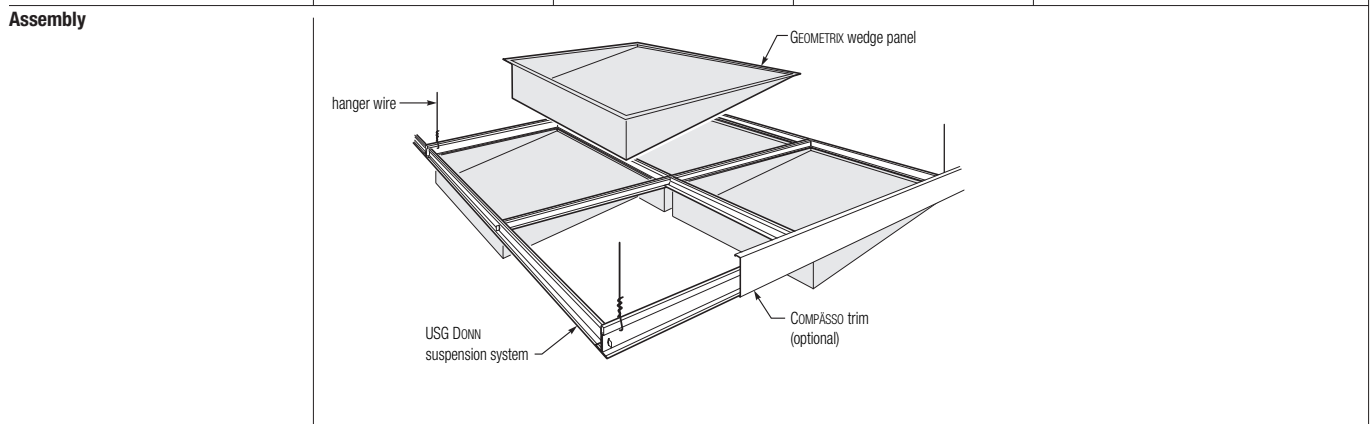
Silver Satin
002

| | | |
|-------------------------------|--|---|
| Product Information | | |
| Materials | Size and Weight | Finishes |
| Panels: Aluminum ³ | Panels: 2' x 2'; Panel weight (for 3" deep flat panel): 0.75 lbs./sf. | Panels are available in smooth metal or in a choice of five perforated patterns (C375, D250, D375, C062 and C062A). A black ACOUSTIBOND® backer is included on all perforated panels unless otherwise specified. ACOUSTIBOND backer is also available in white. |

| | | | | |
|------------------|--------------------|--|---------------------------|-------------------------|
| Acoustics | Description | Optional Acoustical Material | Sound Rating – NRC | |
| | | | Perforation A062 | Perforation A116 |
| | Perforated panel | ACOUSTIBOND™ backer | .65 | .70 |
| | Perforated panel | 1-1/2", 6 lb. density fiberglass (by others) | .90 | .95 |
| | Perforated panel | 2", .75 lb. fiberglass in poly bag (by others) | .85 | .90 |

| | | | | | |
|---------------|-----------------------|---|---|--|---|
| Panels | Configurations | Flat⁴ | Wedge⁴ | Inside Wedge Corner | Outside Wedge Corner |
| | |  |  |  |  |
| | Depths |  |  |  |  |
| | |  |  |  |  |
| | |  |  |  |  |

| | | | | |
|---------------------|---|---|--|---|
| Edge Details | GEOMETRIX Panels with 15/16" DX®/DXL™ Suspension | GEOMETRIX Panels with 9/16" CENTRICITEE™ DXT Suspension | GEOMETRIX Panels with 9/16" FINELINE® DXF Suspension | GEOMETRIX Panels with 9/16" FINELINE® 1/8 DXFF Suspension |
| |  |  |  |  |



| | | | | | |
|-----------------------------|---|--|---|--|---|
| For More Information | Product literature System brochure: IC437 Data sheet: IC424 Recycled content GEOMETRIX aluminum panels: up to 90% recycled content. | Online tools usgdesignstudio.com usg.com/resources/online-tools/topogeo/index.jsp | Footnotes 1. For details, see LEED report generator at usgdesignstudio.com. 2. Requires perforation and ACOUSTIBOND backer. 3. GEOMETRIX panels meet ASTM E84 Class A requirements for surface burning characteristics. | 4. Available pre-engineered utility circles accommodate lighting and utilities. 5. Also available with 5/16" depth. | HRC High Recycled Content Classified as containing greater than 50% total recycled content. Total recycled content is based on product composition of post-consumer and pre-consumer (post-industrial) recycled content per FTC guidelines. |
|-----------------------------|---|--|---|--|---|