



Features and Benefits

- Fully accessible luminous ceiling system provides the aesthetic of sunlit glass block with just a fraction of the weight, cost, and installation time of real glass.
- Panels consist of nine injection-molded 8" x 8" blocks, factory assembled into a 2' x 2' lay-in panel for fast installation and full accessibility.
- Special DONN® Brand CENTRICITEE™ Suspension System is texturized to match the "mortar joints" in the panel.
- Standard fluorescent strip fixtures can be used to give the feel of sunlight even on interior floors.
- 8" x 8" highlighters, available in five translucent colors, change the color of an individual block or an entire panel.
- Four unique textures based on real glass block patterns for an authentic look.

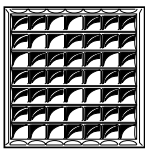
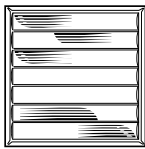
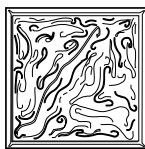

Applications

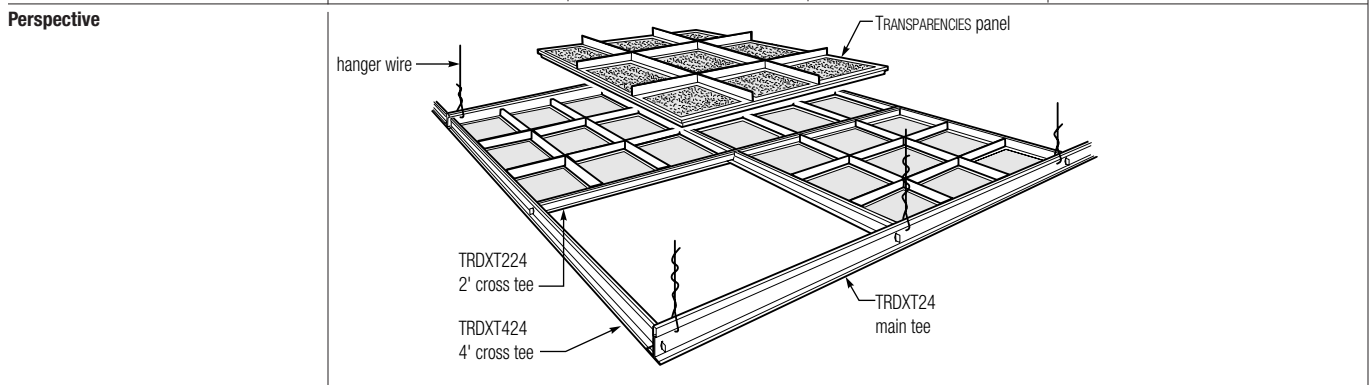
- Accent areas
- Grocery stores
- Libraries
- Retail stores

Transparencies™ Specialty Ceilings Luminous Ceiling System

Technical Service 800 USG.4YOU
Web Site www.usg.com
Samples/Literature 888 874.2450
Samples/Literature Fax 888 874.2348
Customer Service 800 950.3839
Literature Number IC324

| | | |
|----------------------------|--|--|
| Product Information | Materials | Blocks: 100% acrylic Grid: Steel |
| | Finishes | Panels: Clear Highlighters: Red, Green, Yellow, Blue, and Orange (used to change one block or the entire panel color) |
| | Typical Sizes | 2' x 2' |
| | Plenum Depth | Plenum depth requirements are generally a function of lamp spacing. The minimum recommended plenum depth for uniform lighting distribution is 18" measured from the bottom of the fluorescent tubes to the bottom of the grid. |
| | Acoustics | If noise reduction is vital, adjacent ceiling, wall, and floor materials should be chosen with consideration of their acoustical properties. |
| | Lighting | Fluorescent strip fixtures should be placed a minimum of 18" above the ceiling and 18" o.c. for best results. |
| | Grid Layout | Each 2' x 2' TRANSPARENCIES™ panel consists of nine 8" simulated glass block squares spaced 9/16" apart. Center lines of main and cross runner T-bar webs are exactly on module lines. |
| | Weight | Approximately 1-1/2 lbs. per sq. ft. |
| Code Approval | Permitted for use where Class 1 finish materials are required under the provisions of Chapter 8 (1997) of the Uniform Building Code. The roll-formed grid is Class A and non-combustible. Load limits of the grid exceed those imposed by the TRANSPARENCIES system when installed in accordance with the manufacturer's instructions. | |

| | | | | |
|-----------------|--|--|---|--|
| Patterns | Ice Cube | Icicle | Melting Ice | Crushed Ice |
| |  |  |  |  |



Supporting technical literature
IC17102
Recycled content
Contact Technical Services at 800 USG.4YOU.

SAFETY FIRST!
Follow good safety practices. Read material safety data sheets and related literature on products before specification and/or installation.



Manufactured by
USG Interiors, Inc.
125 South Franklin Street
Chicago, IL 60606

The following are trademarks of USG Interiors, Inc., or a related company: CENTRICITEE, DONN, TRANSPARENCIES, USG.

IC324/rev. 6-04
© 2004, USG Interiors, Inc.
Printed in U.S.A.